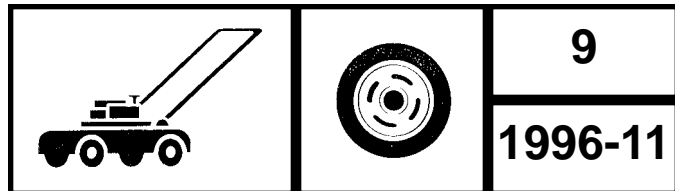
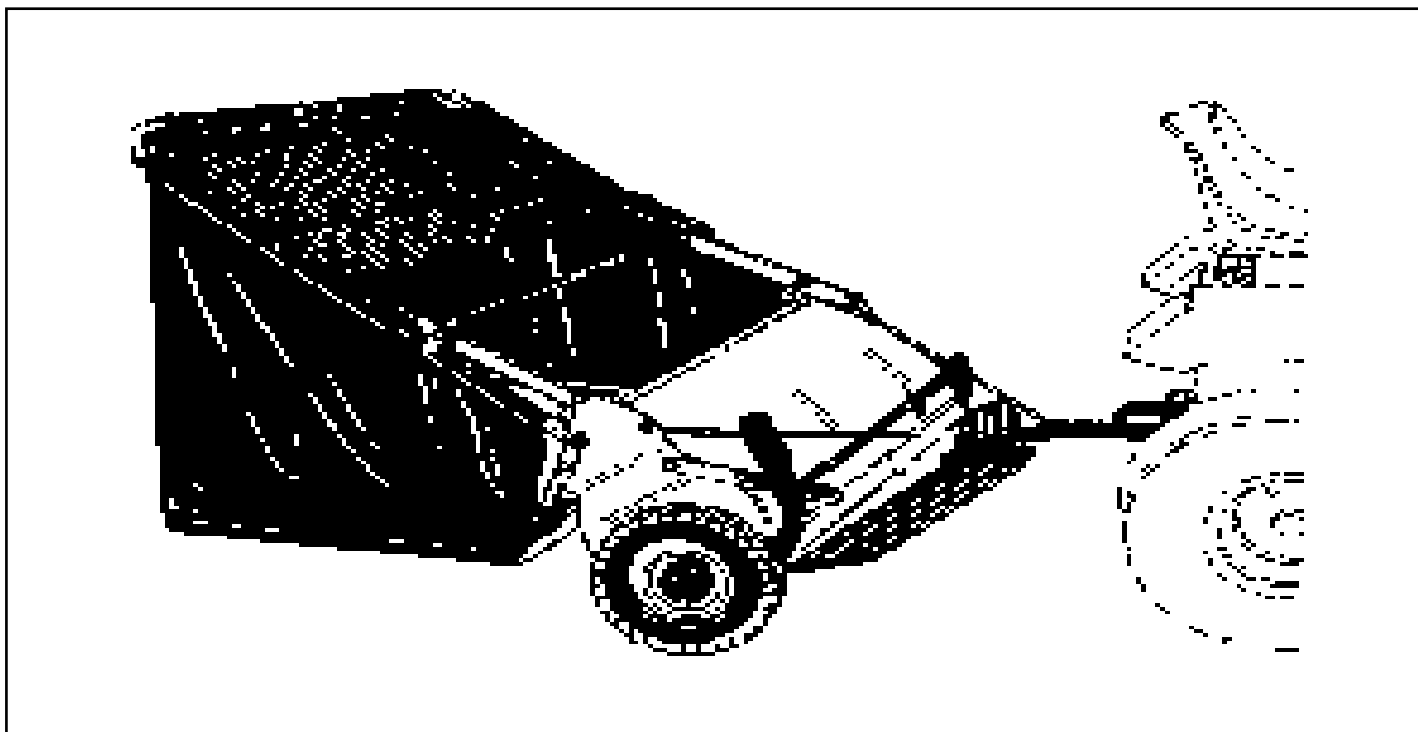


Husqvarna



HS 380

38" LAWN SWEEPER



1.1990

Spare Parts

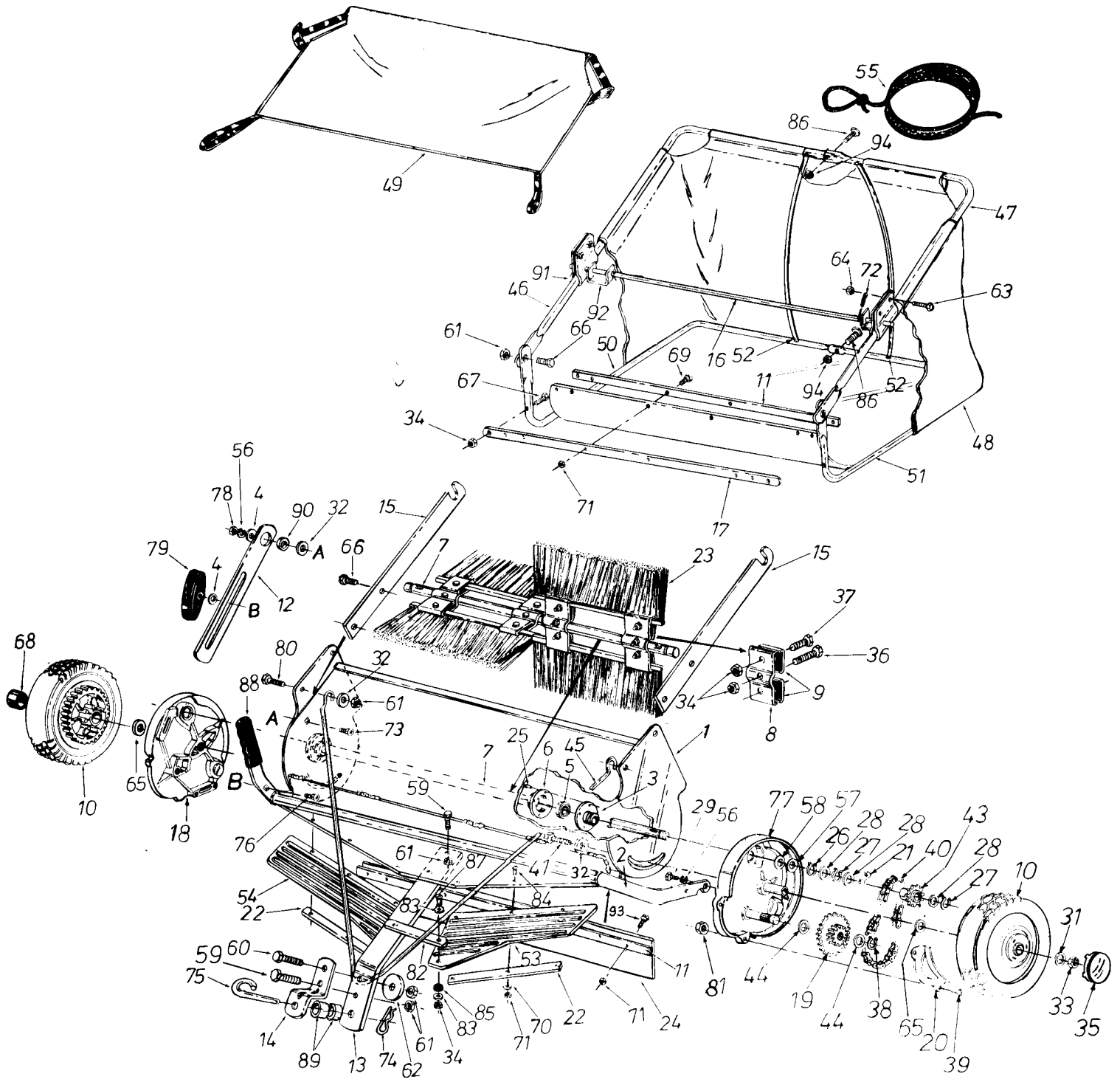
MODEL NUMBER'S

45-0197

190-507A-000

954 99 52-01

REPAIR PARTS FOR MODEL 45-0197 38" LAWN SWEEPER



REPAIR PARTS FOR MODEL 45-0197 38" LAWN SWEEPER

| REF. NO. | PART NO. | QTY. | DESCRIPTION | REF. NO. | PART NO. | QTY. | DESCRIPTION |
|----------|--------------|------|---|----------|-----------|------|---|
| 1 | 62500 | 1 | Sweeper Housing Ass'y. | 51 | 43969 | 1 | Lower Hopper Tube—L.H. |
| 2 | 62801 | 1 | Adjustment Rod Ass'y. | 52 | 43938 | 2 | Hopper Support Rod 34" Lg. |
| 3 | 62489 | 2 | Brush Bushing Ass'y. | | | | |
| 4 | 43081 | 2 | Washer, 5/16" Std. | 53 | 43939 | 1 | Hitch Shield—L.H. |
| 5 | 1652-13 | 2 | Ball Bearing .5916 I.D. | 54 | 43940 | 1 | Hitch Shield—R.H. |
| 6 | 1629-56 | 2 | Bearing Retainer | 55 | 43737 | 1 | Hopper Rope |
| 7 | 23574 | 1 | Brush Shaft—38" | 56 | 43086 | 5 | Spring Lock Washer 5/16"* |
| 8 | 23580 | 4 | Brush Retainer—Double | 57 | 1540-31 | 2 | Fl.-Washer .78 x 1.25x.062 |
| 9 | 23581 | 8 | Brush Retainer—Single | 58 | 1540-107 | 2 | Fl.-Washer .78 x 1.25x.031 |
| 10 | 44985 | 2 | Wheel Ass'y. Complete | 59 | 43001 | 3 | Hex Bolt 3/8-16 x 1" Lg. (Gr. 5) |
| 11 | 23343 | 2 | Skirt & Bag Retainer—38" | | | | |
| 12 | 23387 | 1 | Height Adjustment Strap | 60 | 43062 | 1 | Hex Bolt 3/8-16 x 1-1/2"Lg.* |
| 13 | 23349 | 1 | Hitch Bar | 61 | 43082 | 10 | Hex Lock Nut 3/8-16 Thd. |
| 14 | 23014 | 1 | Hitch Bracket | 62 | R19172410 | 1 | Fl.-Washer 17-32 x 1-1/2 x 10 Ga. |
| 15 | 23595 | 2 | Hopper Mount Arm | | | | |
| 16 | 23601 | 1 | Hopper Bag Pivot Rod | 63 | 43182 | 4 | Hex Bolt 5/16 x 3/4" Lg.* |
| 17 | 23352 | 1 | Bag Frame Strap | 64 | 43064 | 4 | Hex Lock Nut 5/16-18 Thd. |
| 18 | 62792 | 1 | Housing Wheel Drive Ass'y. (R.H.) | 65 | 44008 | 2 | Fl.-Washer .78 I.D. |
| | | | | 66 | 43407 | 4 | Hex Bolt 3/8-16 x 3/4" Lg. (Gr. 5) |
| 19 | 62490 | 2 | Gear Sprocket Sub. Ass'y. | | | | |
| 20 | 23573 | 2 | Dust Cover | 67 | 1509-90 | 2 | Hex Bolt 1/4-20 x 1-1/4"Lg.* |
| 21 | 1671-1 | 2 | Pawl | 68 | 1652-52 | 2 | Wheel Bearing |
| 22 | 23597 | 2 | Shield Retainer | 69 | 43346 | 6 | Slotted Truss Hd. Scr. #10-32 x 5/8" Lg.* |
| 23 | 43904 | 4 | Sweeper Brush | | | | |
| 24 | 43673 | 1 | Skirt | 71 | 43662 | 18 | Hex Lock Nut #10-32 Thd.* |
| 25 | C-9M5732 | 8 | Pop Rivet | 72 | 0142-000 | 2 | Cotter Pin 1/8" x 3/4" Lg.* |
| 26 | 43655 | 2 | Retaining Ring—3/4" | 73 | 43080 | 1 | Carriage Bolt 5/16-18 x 3/4" Lg.* |
| 27 | 1650-21 | 4 | Retaining Ring—.594" I.D. | | | | |
| 28 | 44007 | 6 | Shim Wash. .596 x 1.125 x .025 | 74 | 43343 | 1 | Hair Pin Cotter |
| | | | | 75 | 23353 | 1 | Hitch Pin |
| 29 | 43182 | 4 | Hex Bolt 5/16 x 3/4" Lg.* | 76 | 43080 | 1 | Carriage Bolt 5/16-18 x 3/4" Lg.* |
| 31 | 0141-000 | 2 | Fl.-Washer .38 x 1.25 x .06 | | | | |
| 32 | 43070 | 5 | Washer, 3/8" Std. | 77 | 62791 | 1 | Housing Wheel Drive Ass'y. (LH) |
| 33 | 1038 | 2 | Hex Lock Nut 3/8-24 Thd. | | | | |
| 34 | 43013 | 16 | Hex Lock Nut 1/4-20 Thd. | 78 | 43083 | 1 | Hex Nut 5/16-18 Thd.* |
| 35 | 2674-32 | 2 | Hub Cap | 79 | 43720 | 1 | Knob, Wing 5/16-18 Thd. |
| 36 | 43661 | 4 | Hex Bolt 1/4-20 x 1.0" Lg.* | 80 | 43087 | 2 | Hex Bolt 3/8-16 x 1-1/4"Lg. |
| 37 | 43012 | 8 | Hex Bolt 1/4-20 x 3/4" Lg.* (Gr. 5) | 81 | 1534-8 | 4 | Hex Lock Nut #10-32 Thd.* |
| | | | | 82 | 43941 | 1 | Rubber Connector Flap |
| 38 | 43894 | 2 | Retaining Ring—1/2" | 83 | 43088 | 4 | Fl. Washer 1/4" Std.* |
| 39 | 44004 | 4 | Pan Hd. Screw #10-32 x 1" Lg. | 84 | 43346 | 6 | Slot Truss Hd. Scr. #10-32 x 5/8" Lg. |
| 40 | 44542 | 2 | Roller Chain 3/8 x 1/2-40 | 85 | 1543-69 | 2 | Nylon Washer 21/64 |
| 41 | 43932 | 2 | Hex Bolt 3/8-24 x 3-1/4" Lg. (Gr. 5) | 86 | 43978 | 2 | Curved Head Bolt 1/4-20 x 1" Lg. |
| 42 | 43890 | 1 | Ratchet Sprocket R.H.-11 T. (Not Shown) | 87 | 43012 | 2 | Hex Bolt 1/4-20 x 3/4" Lg. |
| | | | | 88 | 43943 | 1 | Grip |
| 43 | 43889 | 1 | Ratchet Sprocket L.H.-11 T. | 89 | 23368 | 2 | Hitch Adjustment Tube |
| 44 | 44137 | 4 | Washer .51 x .990 x .02 | 90 | 23400 | 1 | Spacer 13/32 x 5/8 x 3/16 |
| 45 | 43958 | 1 | Brace Rod | 91 | 23331 | 4 | Hopper Mounting Clamps |
| 46 | 43966 | 1 | Upper Hopper Tube—R.H. | 92 | 23354 | 2 | Bag Retainer Clevis |
| 47 | 43967 | 1 | Upper Hopper Tube—L.H. | 93 | 1095 | 6 | Slotted Truss Hd. Scr. #10-32 x 1/2" Lg.* |
| 48 | 44067 | 1 | Hopper Bag | | | | |
| 49 | 43937 | 1 | Wind Screen | 94 | 43013 | 2 | Nut, Lock Hex 1/4-20 Thd.* |
| 50 | 43968 | 1 | Lower Hopper Tube—R.H. | | 44625 | | Owner's Manual |

*Common hardware may be purchased locally.